



LED TUBE LIGHT

Completely replace the traditional fluorescent tube with higher efficiency and longer lifespan.

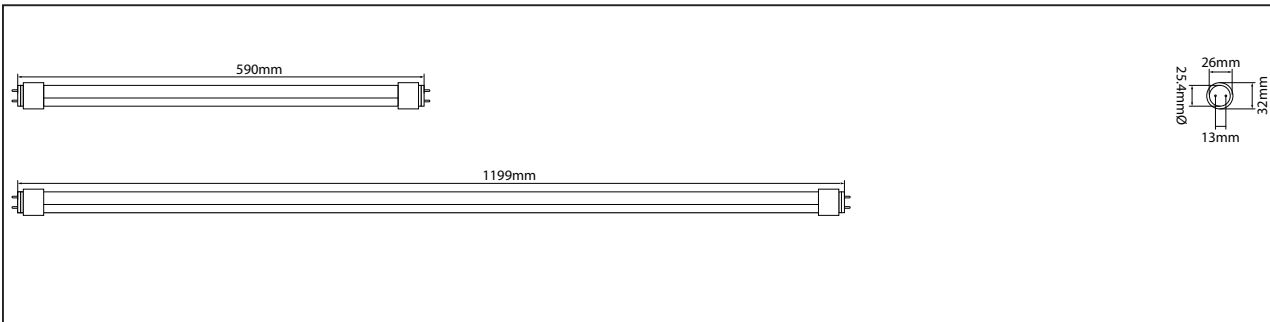
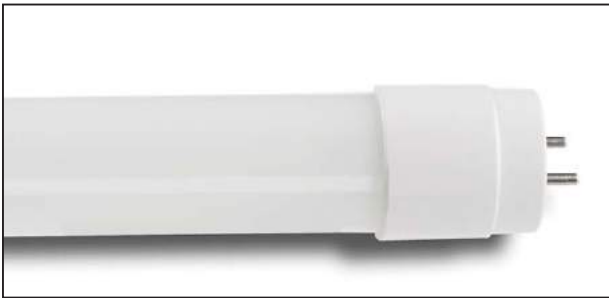
Can be used in office building, shopping mall, restaurant, school, home, factory and other indoor lighting.



T8 tube series----glass case

Milky glass cover with larger than 300degree beam angle.

- Completely replace the traditional fluorescent tube with large beam angle.
- Completely adopts glass case, a similar appearance with the fluorescent tube.
- Competitive price than the aluminum and plastic housing led T8 tubes.
- Power factor >0.5.



	PW7218	PW7220-18	PW7220-22
Luminous flux	800lm	1600lm	2000lm
Power consumption	8.5W	18W	22W
Product size	26x590mm	26x1199mm	26x1199mm

Lamp bracket for T8 tubes.

Simple, good looking, and easy to install.

PW7810-600
PW7811-900
PW7812-1200
PW7813-1500

PW7814-600
PW7815-900
PW7816-1200
PW7817-1500

Simple aluminum fixture.

Easy fitting and safe hanging with holders.

Compatible for all T8 tubes with different length.

PW8020



Single Type



Double Type



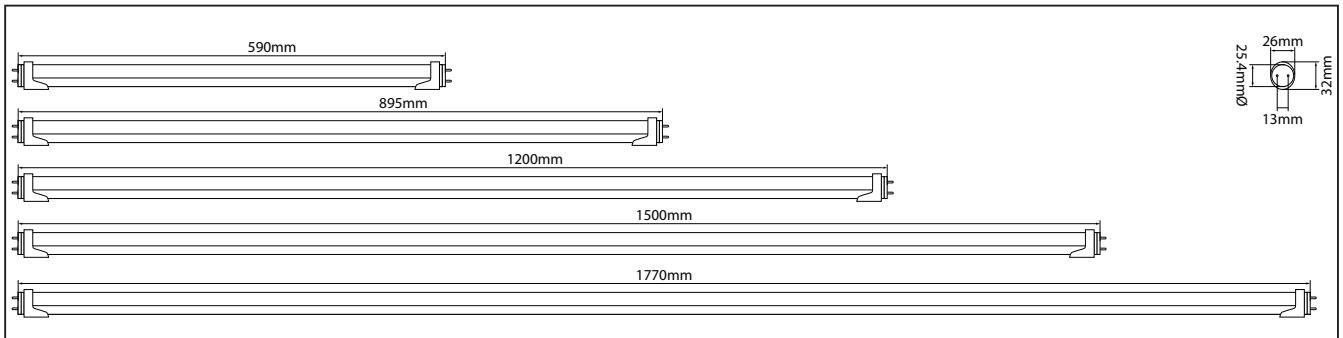


- Easily replace Fluorescent T8 tube, energy saving and environmental protection.
- Plastic and Aluminum case.



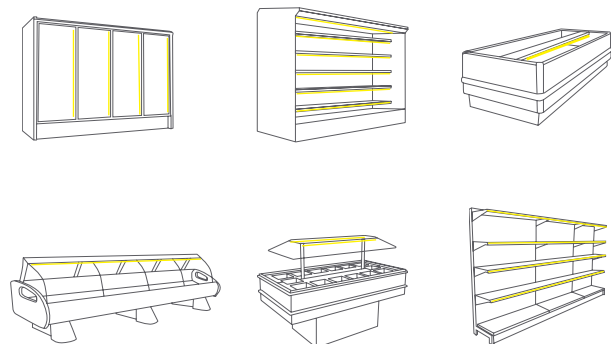
PW7215

Housing Material	Plastic and Aluminum
Base	G13
Luminous flux	1900lm
Power consumption	15~18W
Luminous efficacy	≥ 100lm/W
Product size	26x1215mm
Color temperature	WW/PW/CW
Beam Angel	≅ 150degree



	PW7213	PW7214	PW7216	PW7217
Luminous flux	990lm~1200lm	1400lm~1600lm	2500lm~2800lm	3000lm~3400lm
Power consumption	10W~12W	13W~15W	23W~25W	28W~30W
Product size	26x605mm	26x910mm	26x1515mm	26x1785mm

T8 tube for super market/food display



Led pink tube suitable for meat shop.
Can be used for plant growing with different wave length.

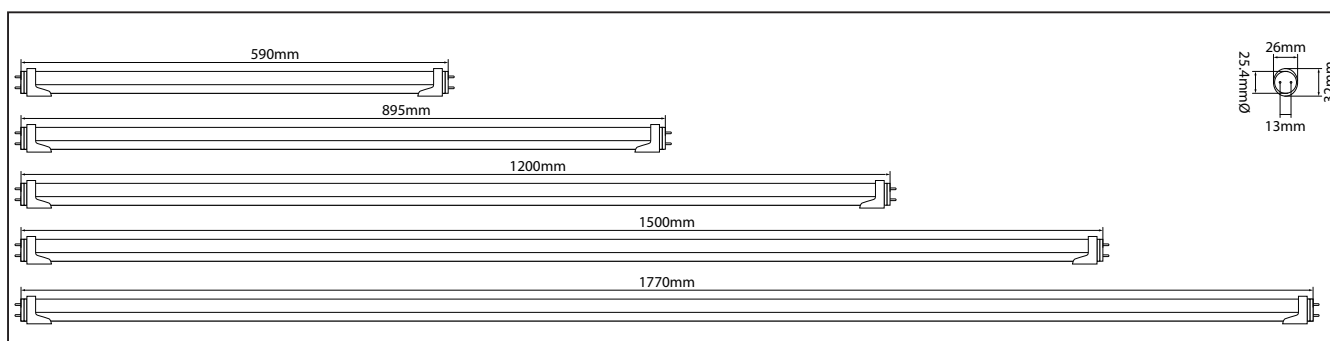
T8 tube series----radar sensor

- Can be well applied in the indoor parking lots
- Auto-sensing dimming.
- Demand lighting, energy saving rate of 90%.



PW6011-1200mm

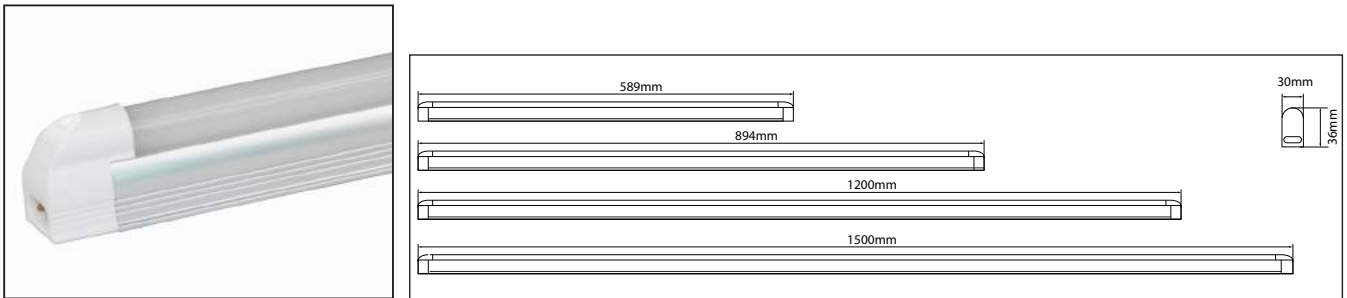
Housing Material	Plastic and Aluminum
Base	G13
Luminous flux	1700lm
Power consumption	18.5W
Luminous efficacy	≥ 90lm/W
Product size	26x1215mm
Color temperature	WW/PW/CW
Beam Angel	≅ 150degree



	PW6011-600mm	PW6011-900mm	PW6011-1500mm	PW6011-1800mm
Luminous flux	800lm	1300lm	2100lm	2400lm
Power consumption	9.4W	15W	22W	28W
Product size	26x605mm	26x910mm	26x1515mm	26x1785mm



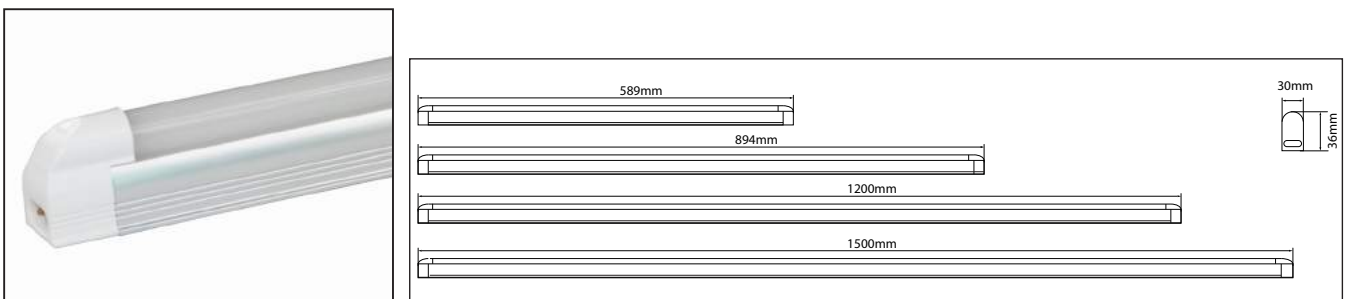
Cheap PF 0.5



PW6009A/B/C/D

	600	900	1200	1500
Material	Alu+PC			
Base	G13			
Luminous flux	75lm/85lm/90lm/100~105lm			
Rated Power	9W ± 0.5W	12W ± 0.5W	18W ± 0.5W	25W ± 0.5W
Product size	589*30*36	894*30*36	1200*30*36	1500*30*36
Color temperature	3000-6500K			
Beam Angel	≧ 120degree			
Power Factor	>0.5			

Insolated Driver CE PF 0.9



PW6009E/F

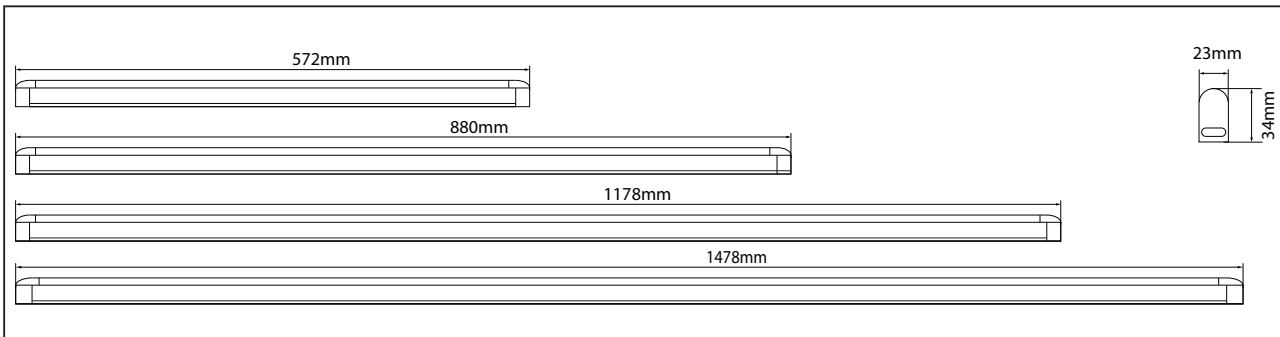
	600E	900E	1200E	1500E
Material	Alu+PC			
Base	G13			
Luminous flux	90lm/100~105lm			
Rated Power	9W ± 0.5W	12W ± 0.5W	18W ± 0.5W	25W ± 0.5W
Product size	589*30*36	894*30*36	1200*30*36	1500*30*36
Color temperature	3000-6500K			
Beam Angel	≧ 120degree			
Power Factor	>0.9			

Stylish and beautiful integrated design, replace Fluorescent T5.



PW6008-600A/B/C/D

Housing Material	Plastic and Aluminum
Base	G5
Power consumption	9W
Luminous efficacy	75/85/90/100~105lm
Product size	572*23*34mm
Color temperature	WW/PW/CW
Beam Angel	≥ 120degree
Power Factor	>0.5



	PW6008-900A/B/C/D	PW6008-1200A/B/C/D	PW6008-1500A/B/C/D
Power consumption	12W ± 0.5W	18W ± 0.5W	25W ± 0.5W
Product size	880*23*34	1178*23*34	1478*23*34

Accessories for T5 tubes

